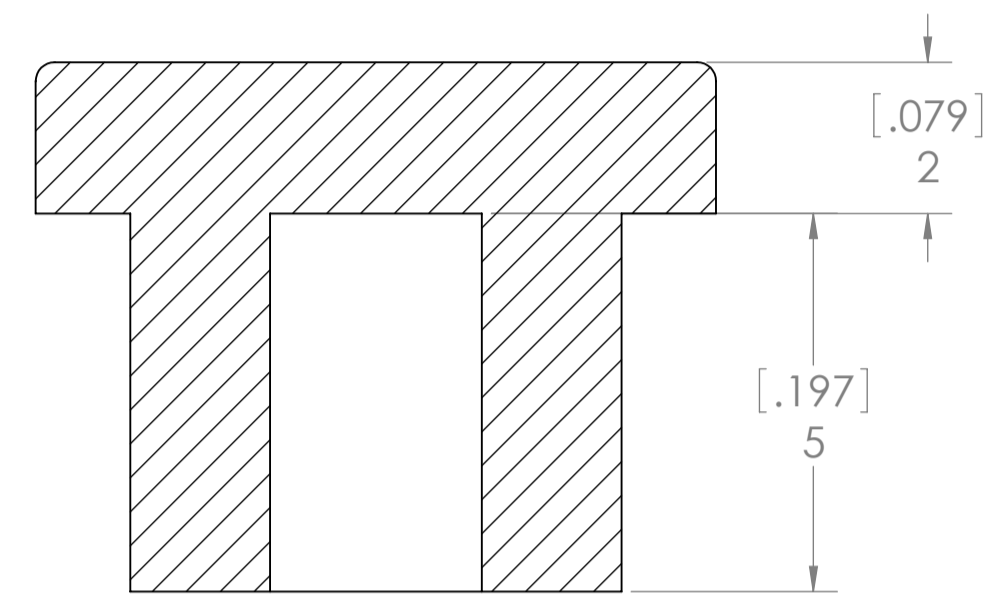
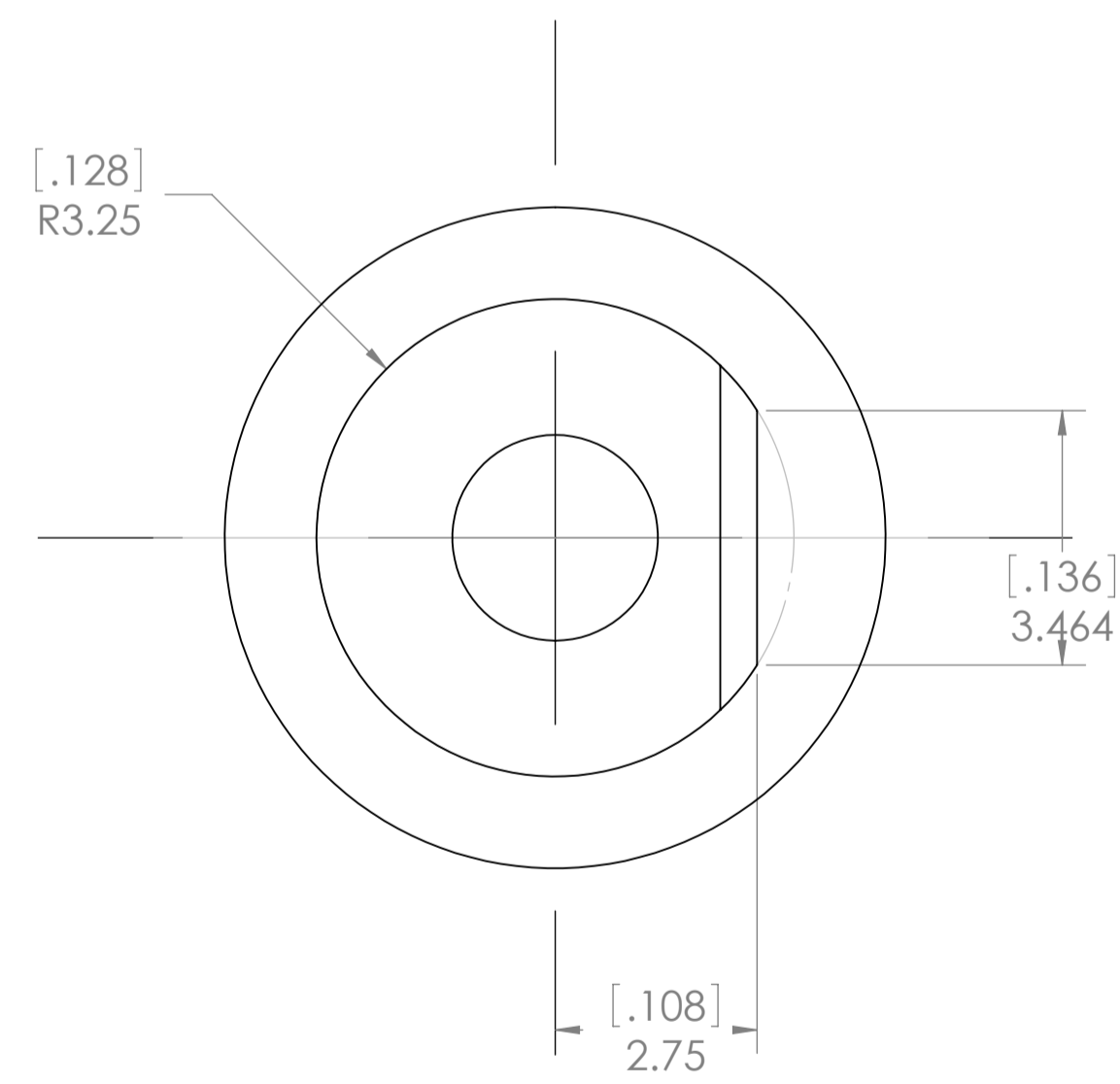
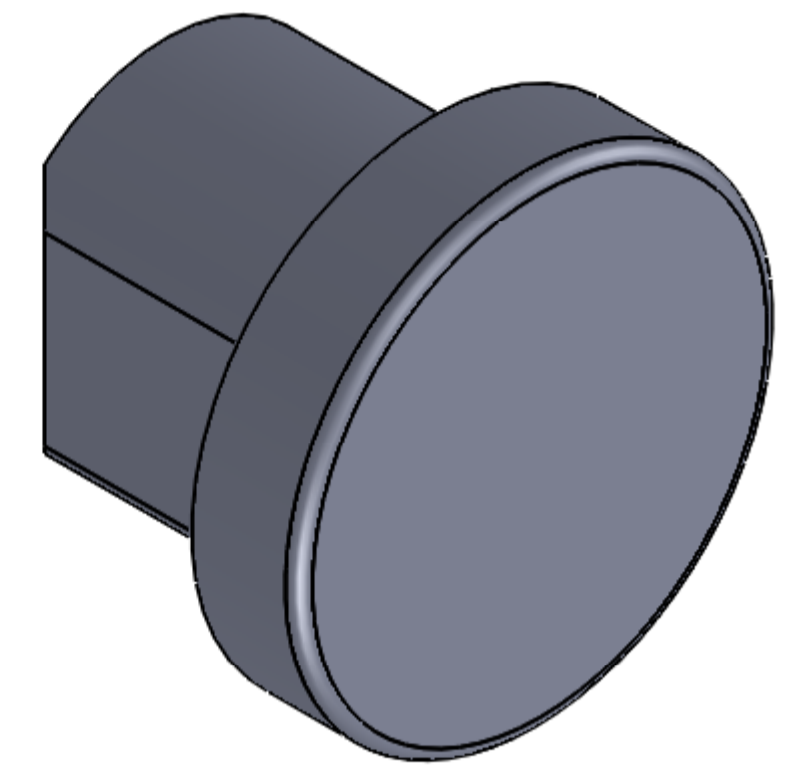
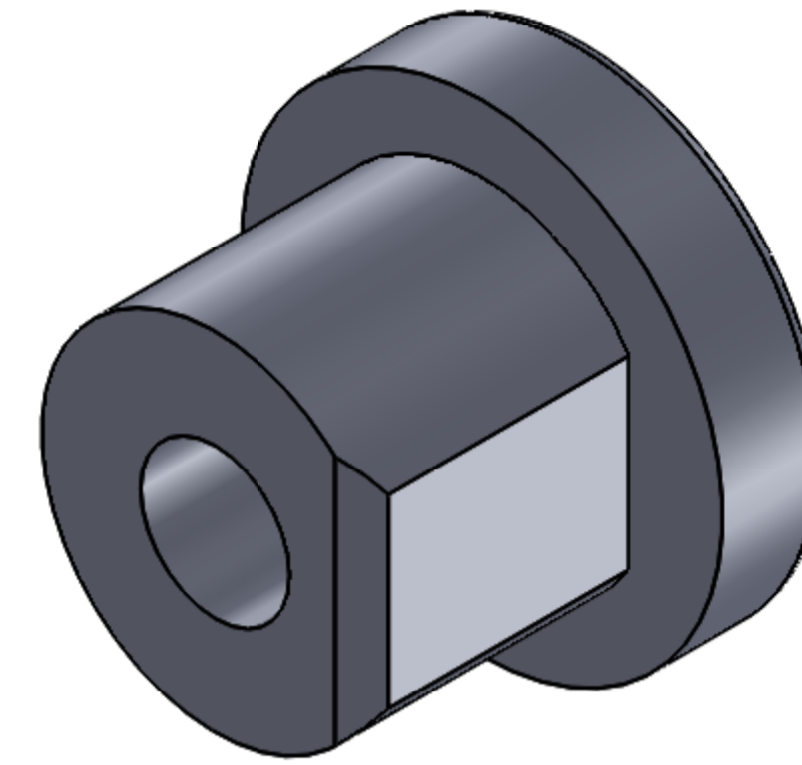


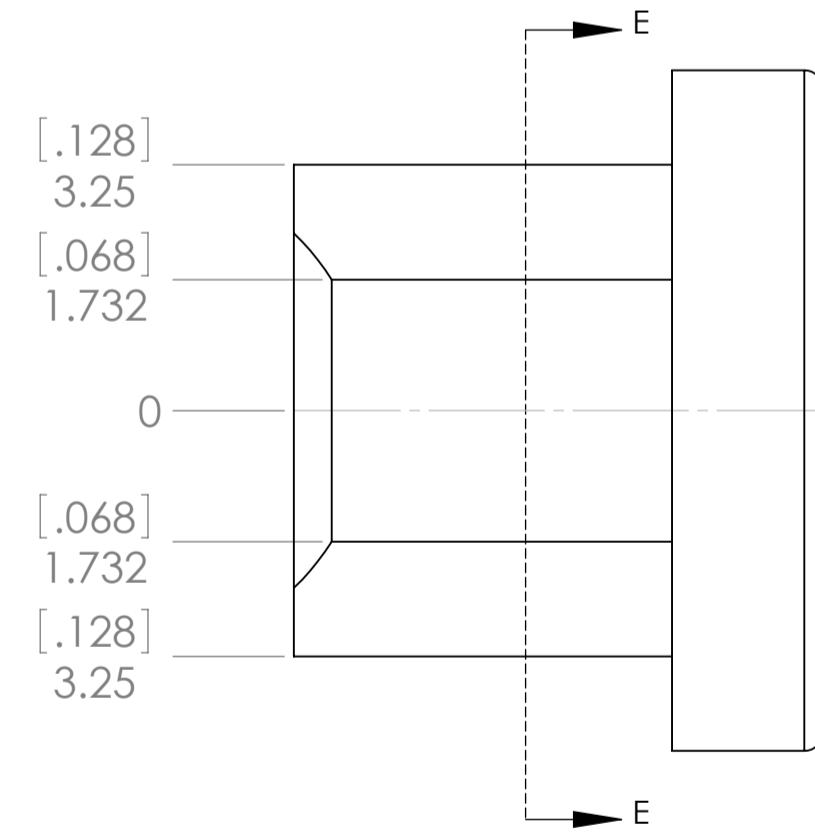
FRONT



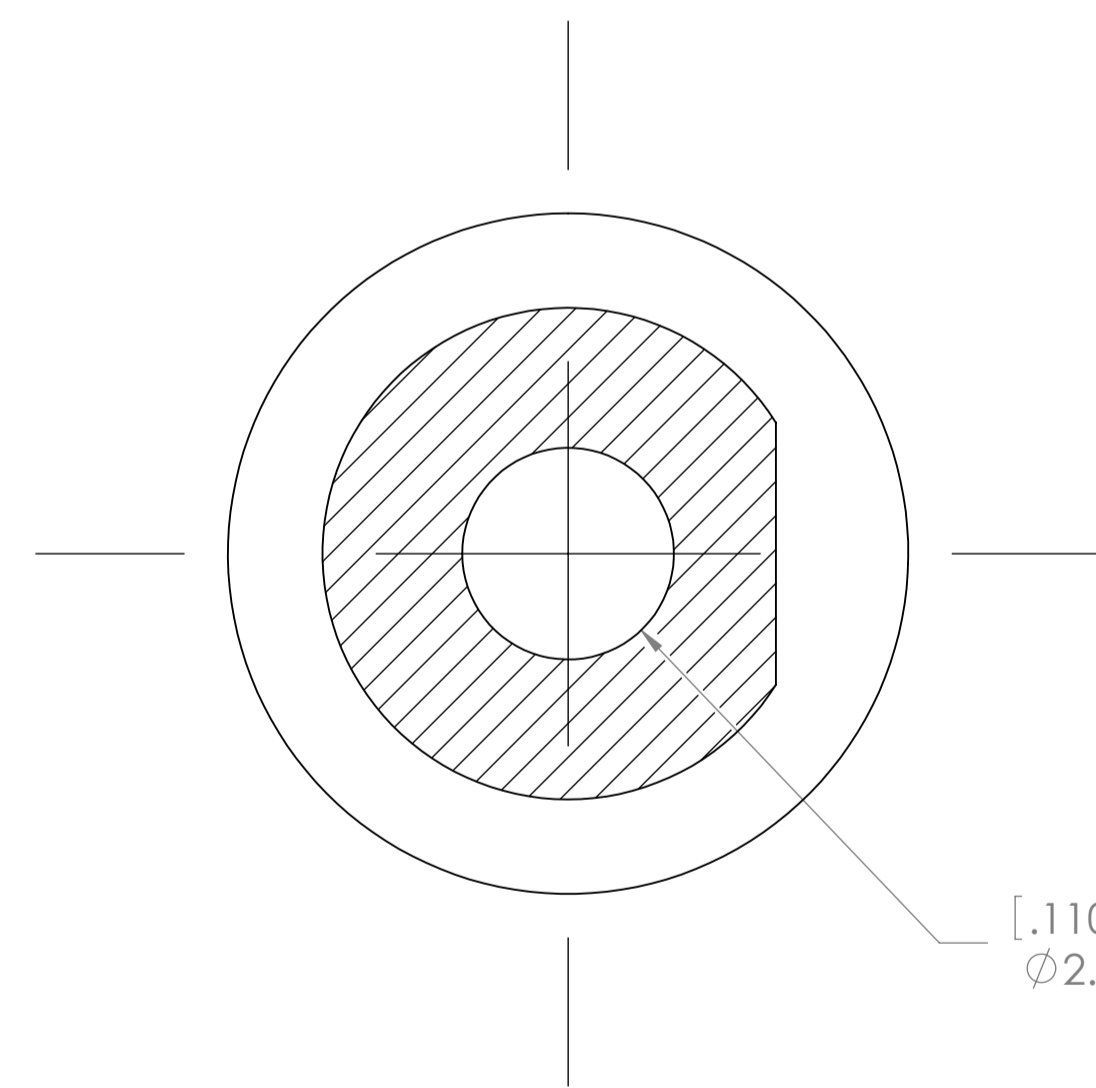
SECTION C-C



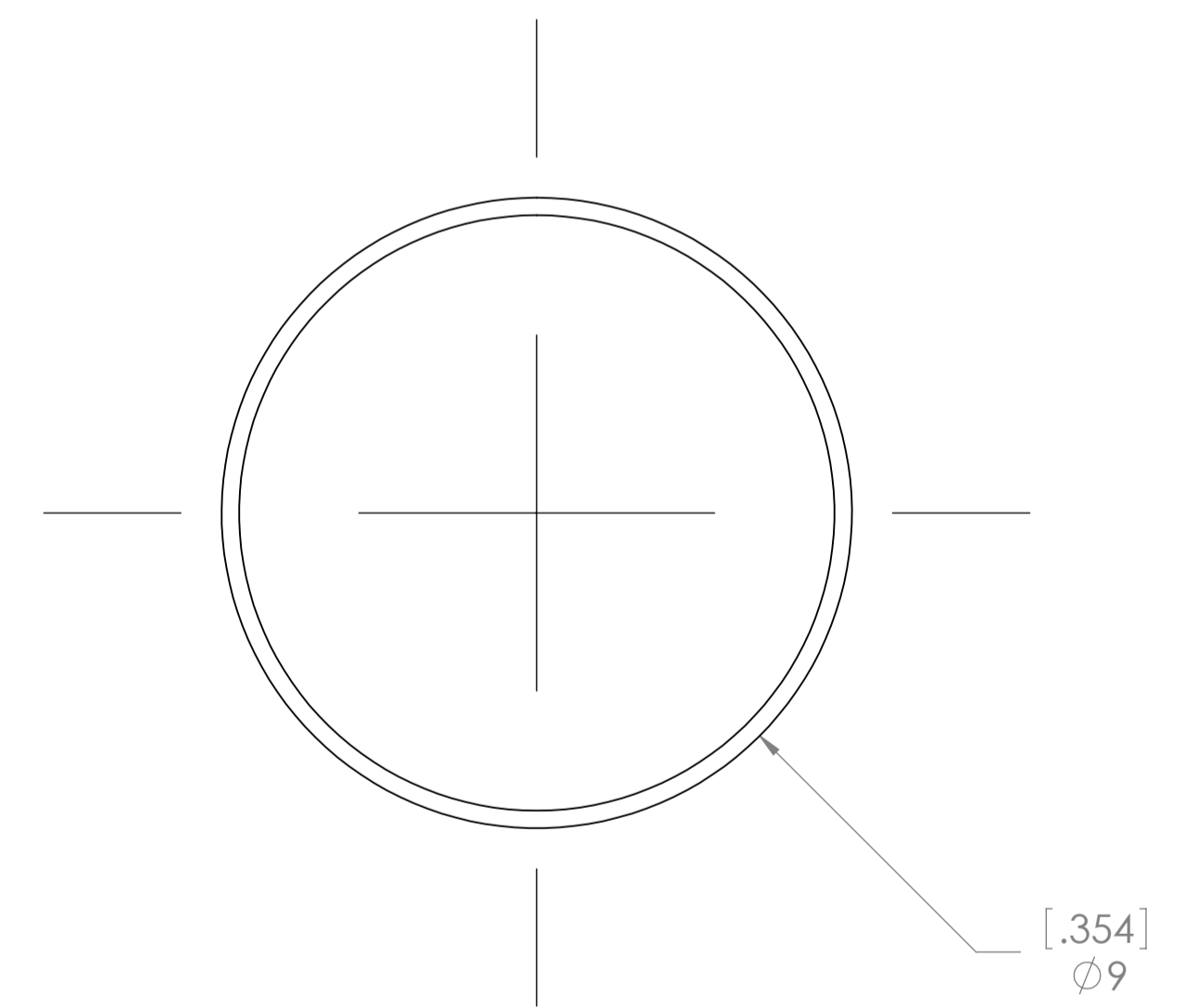
BOTTOM



RIGHT SIDE



SECTION E-E



TOP

PRIMARY DIMENSION IN MILLIMETERS (SECONDARY DIMENSION IN INCHES)		FINISH: Satin Texture, Unfinished		DESIR AND BREAK SHARP EDGES		DO NOT SCALE DRAWING		REVISION:	
TOLERANCES: FRACTIONS DECIMALS								Rubicon Communications, LLC / Netgate	
DRAWN	NAME	SIGNATURE	DATE					TITLE: SMA ANTENNA PLUG	
CHK'D									
APP'VD									
MFG									
Q.A.				MATERIAL: Black Rubber		DWG NO. 2015-008-01-01-A (SMA Rubber Plug)		A1	
				WEIGHT:		SCALE:1:1		SHEET 1 OF 1	